

FORD:
2005 Mustang
2006 Explorer

MERCURY:
2006 Mountaineer

ISSUE

Some 2005 Mustang GT and 2006 Explorer 4dr/Mountaineer vehicles may exhibit the malfunction indicator lamp (MIL) on, with diagnostic trouble codes (DTCs) P2004 through P2008, P151A, P2015, and P2020. All of these codes are associated with the charge motion control valve (CMCV), actuator motor, and/or linkage concerns.

ACTION

Refer to the following Service Procedure to determine if a CMCV Actuator Kit should be installed.

SERVICE PROCEDURE

1. Does the vehicle exhibit DTC P2004, P2005, P2006, and/or P2007 (stuck CMCV motor/linkages)?
 - a. If so, visually inspect CMCV linkages to ensure they are free of interference from improper wire routings or foreign objects. If there is interference, resolve interference as needed. If there is no interference or disconnected/damaged wiring to CMCV actuator proceed to Step 2.
 - b. If not, proceed to Step 2.
2. Remove intake manifold from engine as outlined in the Workshop Manual, Section 303-01. Position the intake manifold on a clean flat work surface, with bottom side up as shown in the CMCV Actuator Kit instruction sheet. Take care to prevent debris from entering the runner ports.

CAUTION

DO NOT REST THE MANIFOLD ON THE INTAKE MANIFOLD FLANGE, AS IRREPARABLE DAMAGE MAY OCCUR TO THE CMCV PLATES.

NOTE

VISUALLY INSPECT THAT ALL CMCV PLATES ARE INTACT. BENT PLATES OR OTHERWISE DAMAGED COMPONENTS WILL REQUIRE ENTIRE MANIFOLD REPLACEMENT (REFER TO FIGURE 1 IN CMCV ACTUATOR KIT INSTRUCTION SHEET).

3. Disconnect the CMCV linkages from actuator motor by removing the two (2) clips (Figure 1). Discard clips.

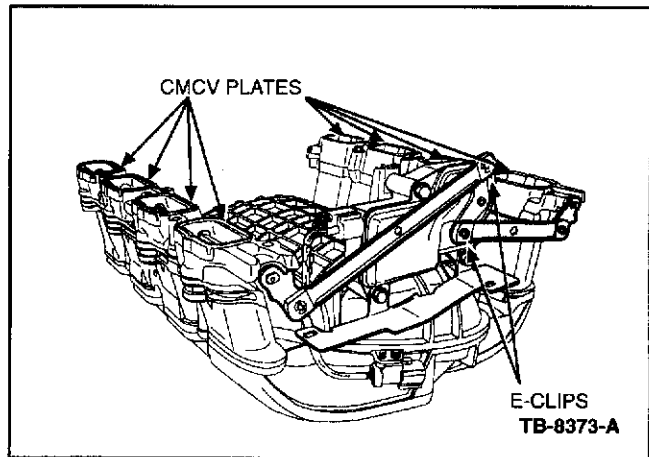


Figure 1 - Article 05-25-15

4. Rotate each CMCV shaft (right hand and left hand) by hand, to verify that the system does not stick or bind. The shafts should rotate freely and any sticking or binding will require replacement of the entire intake manifold.
5. If the components inspected in Steps 1, 2, and 3 are OK, then replace CMCV actuator motor by following procedure included in the service kit.

PART NUMBER	PART NAME
5R3Z-9J559-AA	CMCV Actuator Kit (Mustang)
6L2Z-9B742-A	CMCV Actuator Kit (Explorer/Mountaineer)

NOTE: The information in Technical Service Bulletins is intended for use by trained, professional technicians with the knowledge, tools, and equipment to do the job properly and safely. It informs these technicians of conditions that may occur on some vehicles, or provides information that could assist in proper vehicle service. The procedures should not be performed by "do-it-yourselfers". Do not assume that a condition described affects your car or truck. Contact a Ford, Lincoln, or Mercury dealership to determine whether the Bulletin applies to your vehicle. Warranty Policy and Extended Service Plan documentation determine Warranty and/or Extended Service Plan coverage unless stated otherwise in the TSB article. The information in this Technical Service Bulletin (TSB) was current at the time of printing. Ford Motor Company reserves the right to supercede this information with updates. The most recent information is available through Ford Motor Company's on-line technical resources.

WARRANTY STATUS: Eligible Under Provisions Of
New Vehicle Limited
Warranty Coverage

OPERATION	DESCRIPTION	TIME
052515A	2005 Mustang 4.6L 3V: Inspect CMCV plates, Replace Intake Manifold, Includes Time To Check For Diagnostic Trouble Codes, Remove and Install Intake Manifold (Do Not Use With 12650D, 9280A, 9424A, 9531A, 9424A, 9926A, 12650D24, 12650D35)	1.8 Hrs.
052515B	2005 Mustang 4.6L 3V: Inspect CMCV plates, Replace CMCV, Includes Time To Check For Diagnostic Trouble Codes, Remove and Install Intake Manifold (Do Not Use With 12650D, 9280A, 9424A, 9531A, 9424A, 9926A, 12650D24, 12650D35)	1.7 Hrs.
052515C	2006 Explorer, Mountaineer 4.6L 3V: Inspect CMCV plates, Replace Intake Manifold, Includes Time To Check For Diagnostic Trouble Codes, Remove and Install Intake Manifold (Do Not Use With 12650D, 9280A, 9424A, 9531A, 9424A, 9926A, 12650D24, 12650D35)	1.9 Hrs.
052515D	2006 Explorer, Mountaineer 4.6L 3V: Inspect CMCV plates, Replace CMCV, Includes Time To Check For Diagnostic Trouble Codes, Remove and Install Intake Manifold (Do Not Use With 12650D, 9280A, 9424A, 9531A, 9424A, 9926A, 12650D24, 12650D35)	1.8 Hrs.

DEALER CODING

BASIC PART NO.
9G730

CONDITION
CODE
01